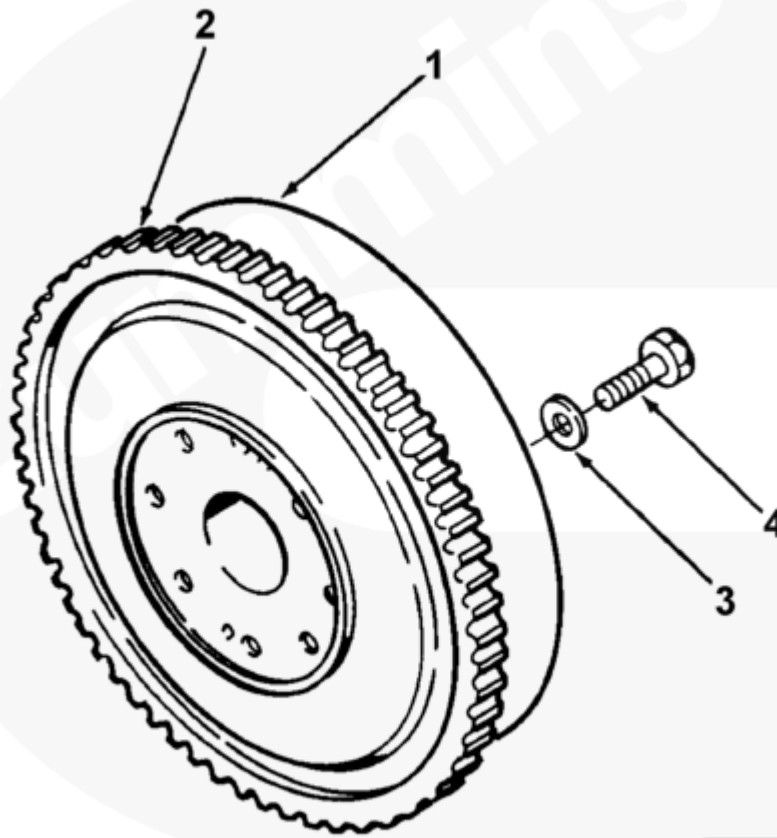




## Parts Catalog - Option Detail

Electronic Parts Catalog - Option Detail				
Option	Group	Graphic	Film Card	Date
FW1010	16.02	fw100ga	FF	29-AUG-94
<b>Engines</b>	G855, G855 CM558, GTA855 CM558 (CM2358) G101, N14 CELECT, N14 CELECT PLUS, N14 MECHANICAL, NH/NT 855, QSM11 CM876 M101, QSM11 CM876 M102M, QSN14 CM876 N103, QSN14 CM876 N105, QSNT14 CM876 N102			

©Cummins Inc



fw100ga

[SMALL](#) | [MEDIUM](#) | [LARGE](#)

Cart	Ref No	Part Number	Part Description	Required	Remarks
View My Cart					
		FW1010	Flywheel		SAE #1 flywheel. Meets SAE...(More)
					J162 for No. 514 generator
					flex disc. Also meets SAE

					J620C for SAE 14 overcenter
					clutch.
<input type="checkbox"/>		<a href="#">3023510</a>	Flywheel	1	
	1	<a href="#">2965</a>	Flywheel	1	
<input type="checkbox"/>	2	<a href="#">4851</a>	Flywheel Ring Gear	1	
<input type="checkbox"/>	3	<a href="#">200861</a>	Plain Washer	6	5/8 Inch.
<input type="checkbox"/>	4	<a href="#">204165</a>	Head Locking Screw	6	5/8 - 18 x 1 5/8 Inch

© 2019 Cummins Inc., Box 3005, Columbus, IN 47202-3005 U.S.A.  
Terms of Use and Disclaimers | Recommended System Requirements  
Need Assistance? Please click on the Contact Us button in the top right corner of any page.